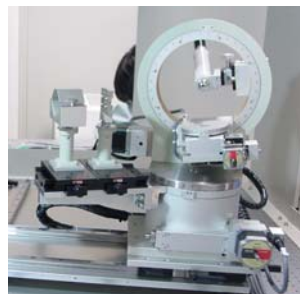


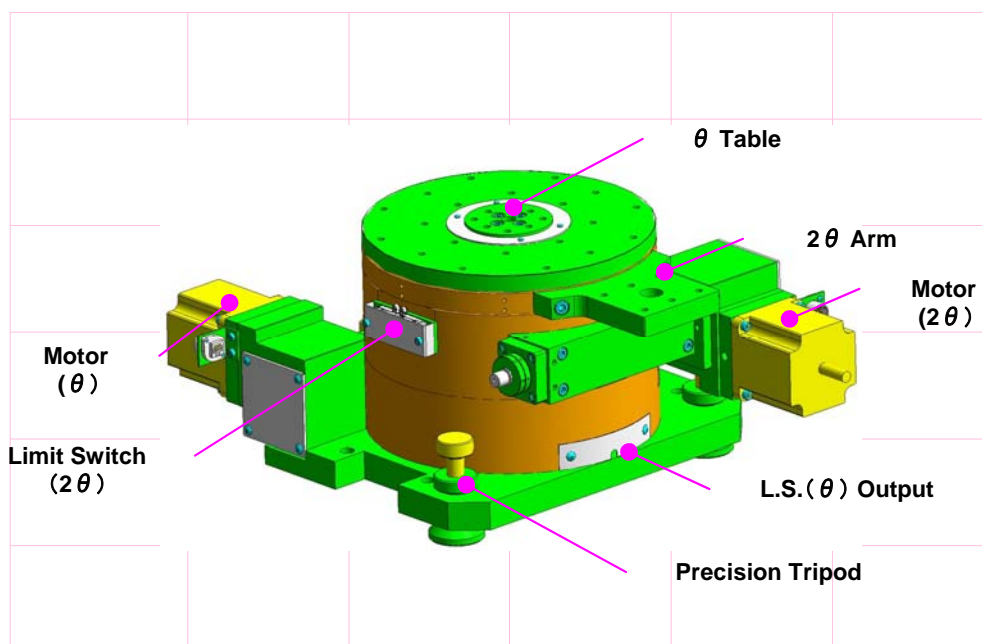


Two Axis Rotation <RA20-21>

This two axis (θ - 2θ) motorized rotation stage allows rotation independently of a sample with either a detector or analyzer mounted on a side arm.



An example for a system KDO-1 with RA20-21



Features

◆ Resolution of both axes is enhanced mechanically by using additional worm and worm wheel mechanism.



◆ The stage can be used in either horizontal or vertical orientation of the common rotation axis.



Specifications

Model	RA20-21	
2 Axis	θ	2θ
Stroke	± 170 degree	± 130 degree
Resolution (Half-Step)	0.0002° / step	0.0004° / step
Maximum Speed	2 degree / sec	
Accuracy	0.01 degree / 360 degree	
Repeatability	0.004 degree	
Backlash	0.003 degree	
Eccentricity	10 μ m	
Wobble	10 μ m	
Weight	26 kg	

Kohzu Precision Co.,Ltd.
 Tel: +81-44-981-2131
 Fax: +81-44-981-2181
 Email:sale@kohzu.co.jp
 URL://www.kohzuprecision.com