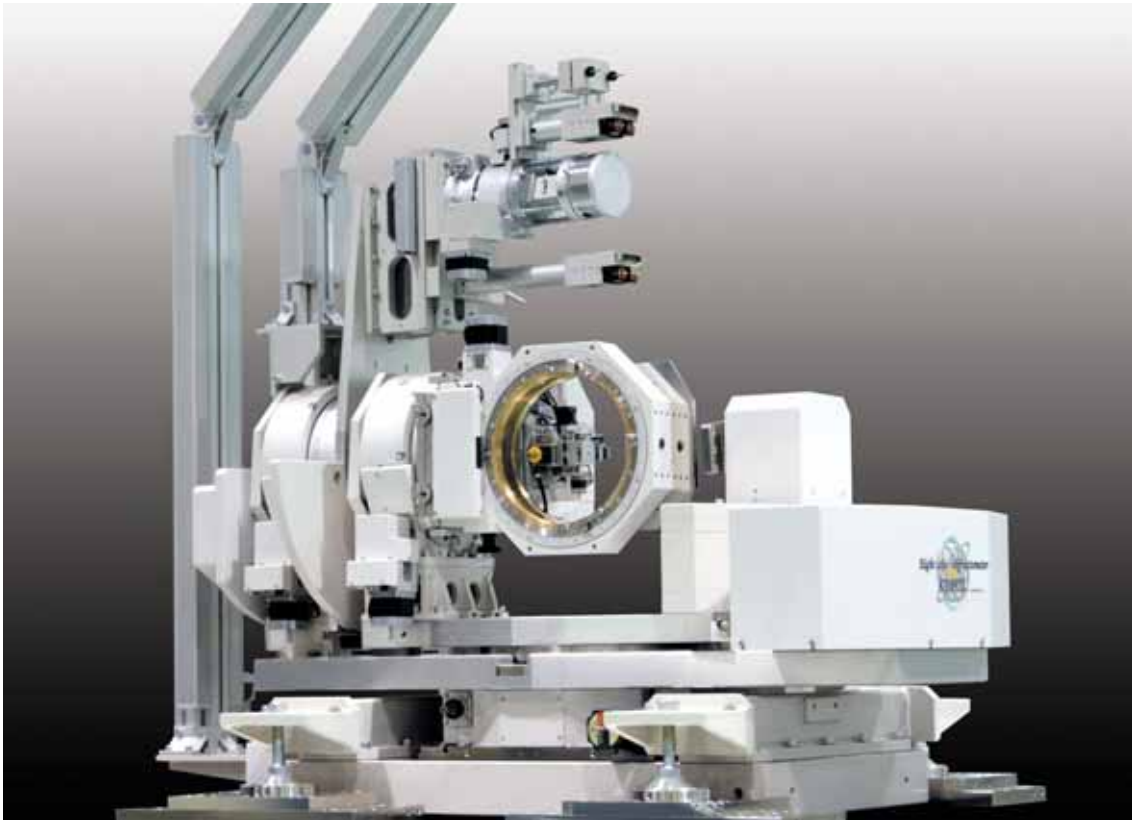


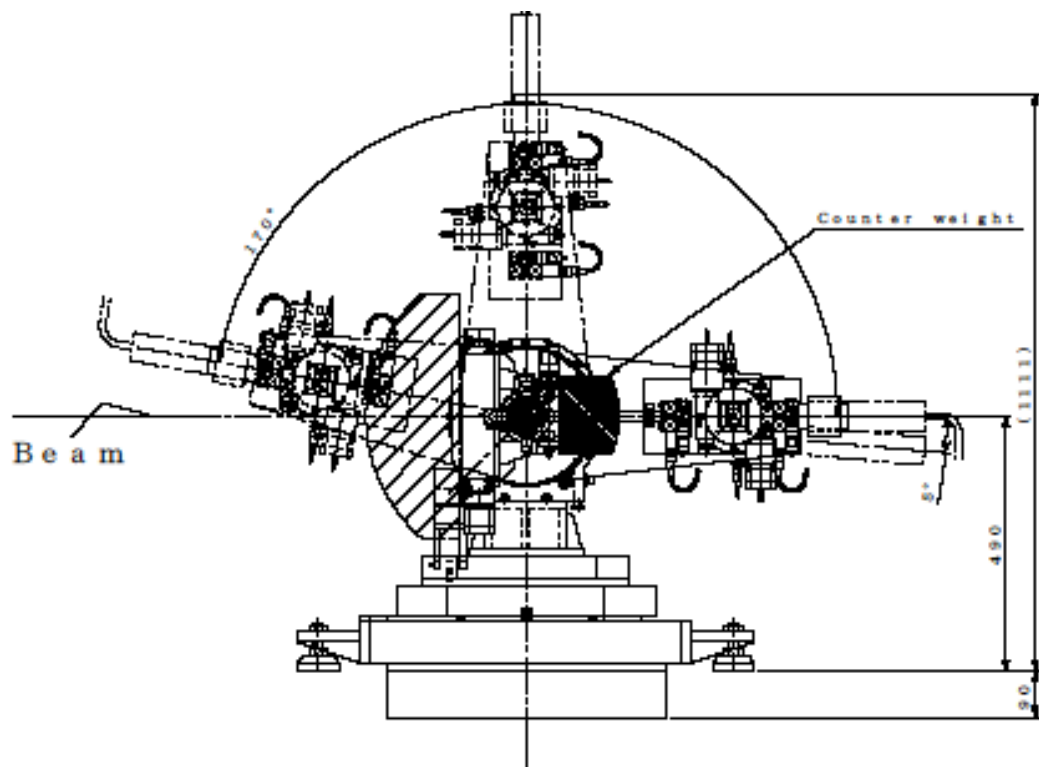
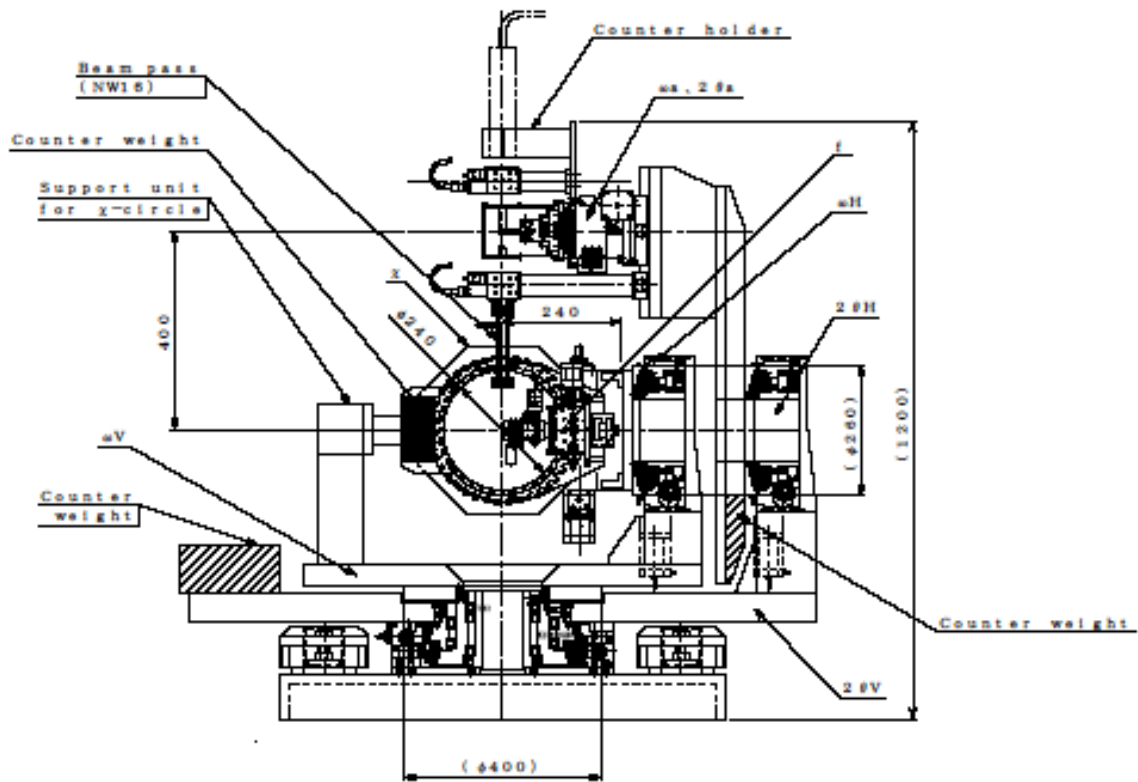
Multi-purpose 8-axis diffractometer(table-top type) Model NZD-2



This is a multipurpose high precision 8-axis diffractometer equipped with $\theta/\psi/\chi$ circles for sample orientation and with $2\theta/\omega/\alpha/2\phi$ circles for orientation of a detector and an analyzer crystal. It is designed mainly for structural analysis of a thin film and bulks.

There is a possibility to install a special sample cell as well as a motorized XYZ translation table and two axis tilting stage on the top of sample θ -circle. It is possible to study a sample under desired atmospheres, for instance, in solution. There is also a variety of optional equipment such as motorized adjustment mechanics, motorized slit etc., which can be installed on the detector arm. The optional equipment easily helps to improve a signal to noise ratio.

An analyzer crystal can be mounted on the 2θ arm in the geometry.



Each axis specification

Sample orientation

Axis	Resolution	Stroke
v	0.72arcsec/step	360deg
H	0.18arcsec/step	360deg
	1.8arcsec/step	360deg
	0.36arcsec/step	360deg

Detector orientation

Axis	Resolution	Stroke
2 v	0.72arcsec/step	360deg
2 H	0.36arcsec/step	175deg

Analyzer crystal unit

Axis	Resolution	Stroke
a	0.36arcsec/step	300deg
2 a	0.36arcsec/step	250deg

Sample alignment unit

Axis	Resolution	Stroke
Xs/Ys	0.4 μ m/step	\pm 5mm
Zs	1 μ m /step	\pm 5mm
Sx	3.56arcsec/step	\pm 5deg
Sy	4.82arcsec/step	\pm 5deg

Motorized Slit unit (every blade moves independently/crossover type)

Axis	Resolution	Stroke
SlitA blade	0.5 μ m/step	-2.5mm+7.5mm
SlitB blade	0.5 μ m/step	-2.5mm+7.5mm